



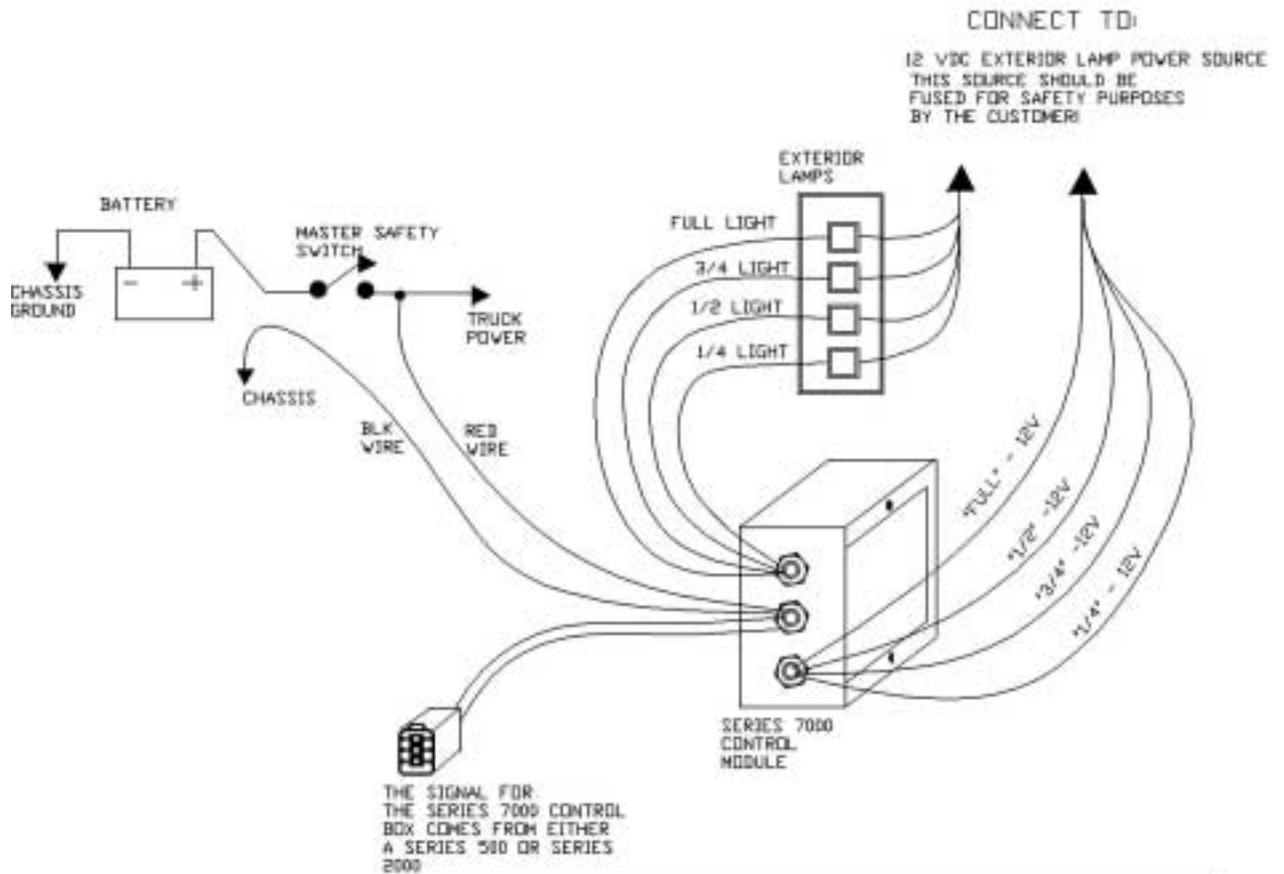
SERIES 7000 EXTERIOR LAMP CONTROL

**** INSTALLATION INSTRUCTION MANUAL ****

TOPICS	PAGE#
1. SERIES 7000 CONTROL MODULE INSTALLATION -----	3
2. SERIES 7000 CONCEPT -----	3
3. SERIES 7000 WIRING INSTRUCTIONS -----	2



SERIES 7000 EXTERIOR LAMP CONTROL



IMPORTANT! IF YOU ARE CONNECTING TO A SERIES 500 SYSTEM, USE A "Y" CONNECTOR TO CONNECT TO THE SENSOR CABLING.

IF YOU ARE CONNECTING TO A SERIES 2000 DISPLAY, THE SERIES 2000 MUST BE A MASTER. THEN, CONNECT TO THE PROVIDED MASTER CABLE FROM THIS DISPLAY.



SERIES 7000 EXTERIOR LAMP CONTROL

**** INSTALLATION OF CONTROL BOX****

LOCATE AND SECURE THE CONTROL BOX IN THE PUMP COMPARTMENT OF THE TRUCK. FOLLOW WIRING DIAGRAM ON PAGE 1.

**** PURPOSE OF THE SERIES 7000 CONTROL SYSTEM ****

THE SERIES 7000 CONTROL MODULE ALLOWS YOU TO USE LARGE REMOTE EXTERIOR LIGHTS TO MIRROR THE ACTIVITY OF THE STANDARD MC DISPLAY. IT CAN BE USED ON SERIES 500, SERIES 2000, AND SERIES 6000 DIAL UNITS.

THE RELAYS IN THE CONTROL MODULE CAN HANDLE LOADS OF 15 AMPS PER WIRE.