



**SERIES 500 WATER LEVEL MONITOR**

W/ SENTINEL LED

**\*\* INSTALLATION INSTRUCTION MANUAL \*\***

**\*\* topics \*\***

**page#**

|   |     |
|---|-----|
| 1. MONITOR INSTALLATION INSTRUCTIONS -----              | 2   |
| 2. WIRING INSTRUCTIONS -----                            | 4   |
| 3. CABLE WIRING FUNCTIONS AND CONNECTOR PIN ORDER ----- | 5   |
| 4. MONITOR AND CABLING SPECIFICATIONS -----             | 6   |
| 5. 1: 1 SCALE MOUNTING TEMPLATES & DRILL CENTERS -----  | 3-A |



**SERIES 500 WATER LEVEL MONITOR**

W/ SENTINEL LED

**\*\*MONITOR INSTALLATION INSTRUCTIONS\*\***

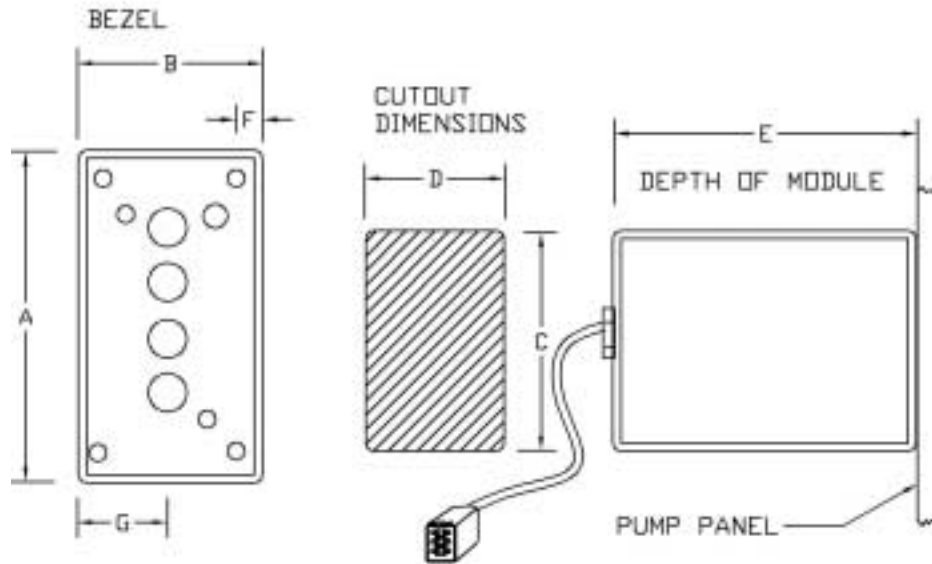
**STEP 1**

FROM THE CHART BELOW, DETERMINE THE CUTOUT DIMENSIONS FOR YOUR TYPE OF DISPLAY. MOUNT UNIT INTO CUTOUT WITH SUPPLIED SCREWS OR A NUT/BOLT COMBINATION THAT BEST FITS YOUR APPLICATION.

**STEP2**

CLEAN INDENT ON LOWER FRONT OF BEZEL. APPLY SUPPLIED GALLONAGE TAG INTO INDENT. TRIM TAG TO FIT INDENT.

**NOTE: IF YOU ARE MOUNTING THE UNIT FROM BEHIND THE PANEL, REFER TO NEXT PAGE FOR CUTOUT DIMENSIONS. ALSO, MAKE SURE THE ARROW ON THE FRONT OF THE MODULE UNIT IS POINTING UP!**



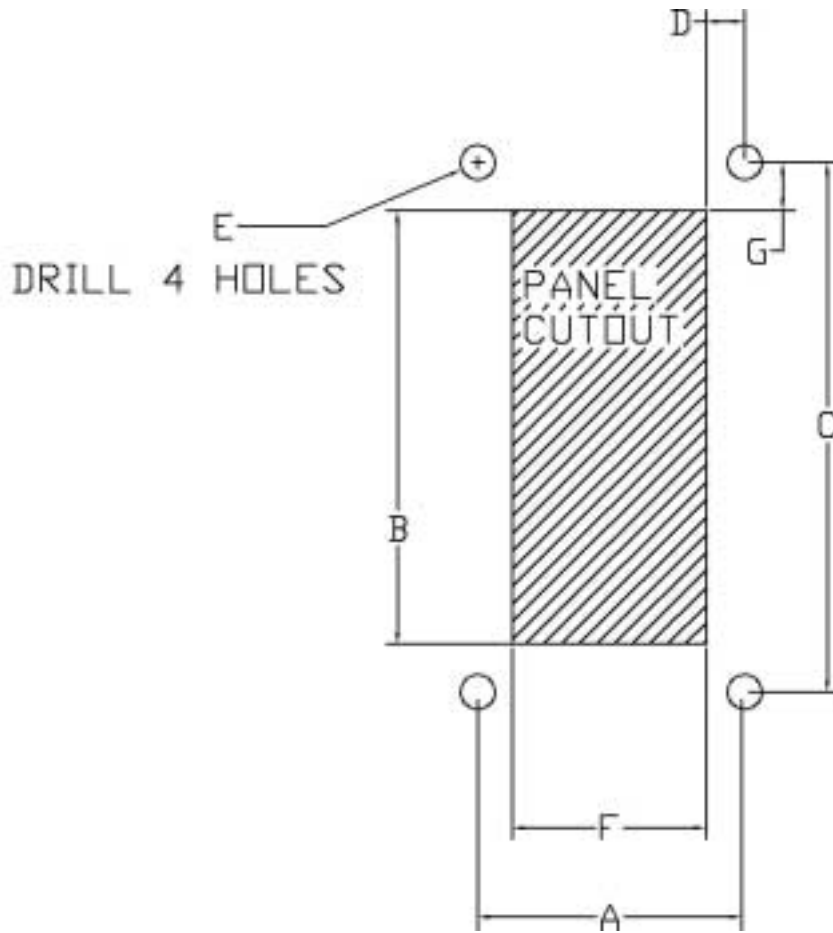
| TYPE UNIT       | A     | B     | C     | D      | E     | F     | G      |
|-----------------|-------|-------|-------|--------|-------|-------|--------|
| 4 LIGHT         | 5.70" | 2.63" | 4.00" | 2.15"  | 3.00" | .312" | 1.315" |
| 5 LIGHT (QUINT) | 6.63" | 2.63" | 5.00" | 2.15"  | 3.00" | .312" | 1.315" |
| MINI 4 LIGHT    | 4.31" | 1.80" | 3.45" | 1.275" | 1.25" | .300" | 1.310" |



**SERIES 500 WATER LEVEL MONITOR**

W/ SENTINEL LED

(CUTOUT DIMENSIONS FOR BEHIND PANEL MOUNTING)



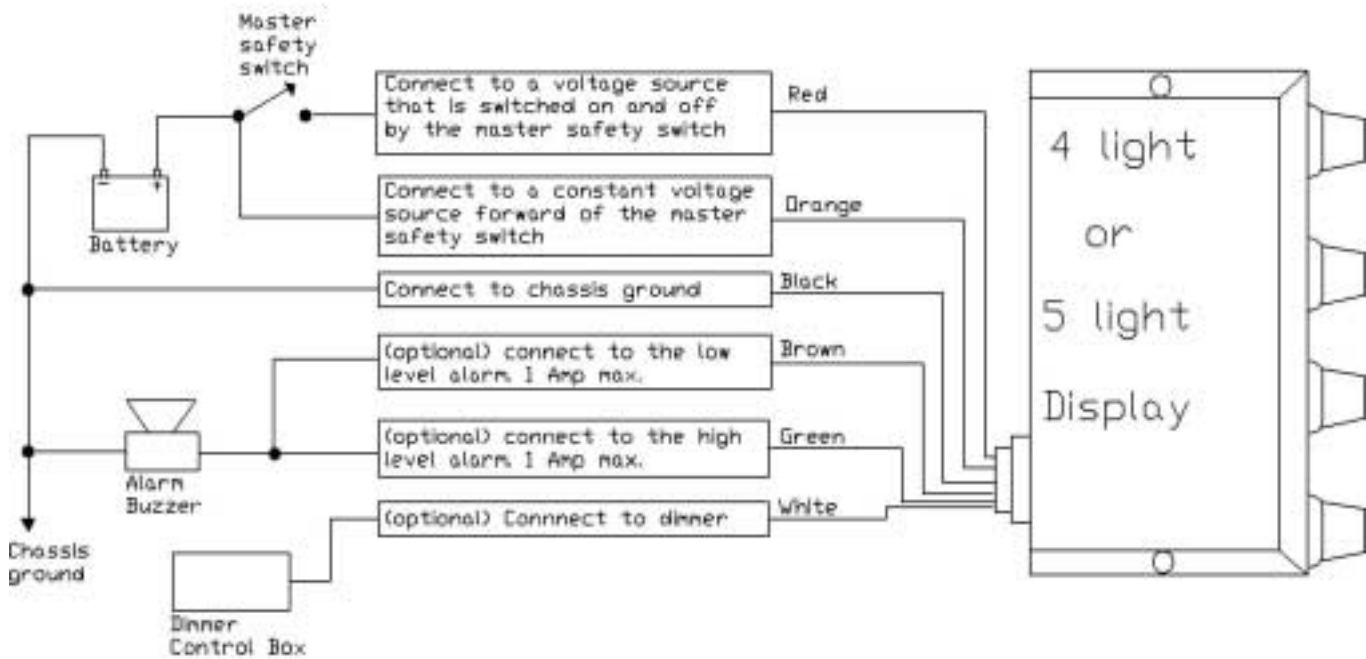
| TYPE UNIT       | A     | B     | C     | D     | E     | F      | G     |
|-----------------|-------|-------|-------|-------|-------|--------|-------|
| 4 LIGHT         | 2.01" | 3.58" | 5.07" | .139" | .220" | 1.728" | .253" |
| 5 LIGHT (QUINT) | 2.01" | 5.50" | 6.01" | .139" | .220" | 1.728" | .253" |
| MINI 4 LIGHT    | 1.20" | 3.00" | 3.71" | .760" | .200" | .500"  | .355" |



# SERIES 500 WATER LEVEL MONITOR

W/ SENTINEL LED

## Series 500 Wiring Instructions



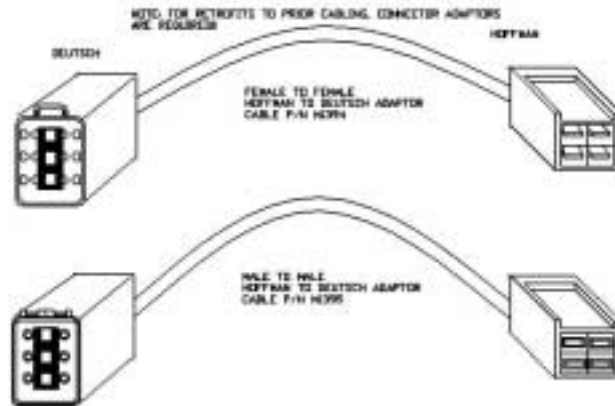
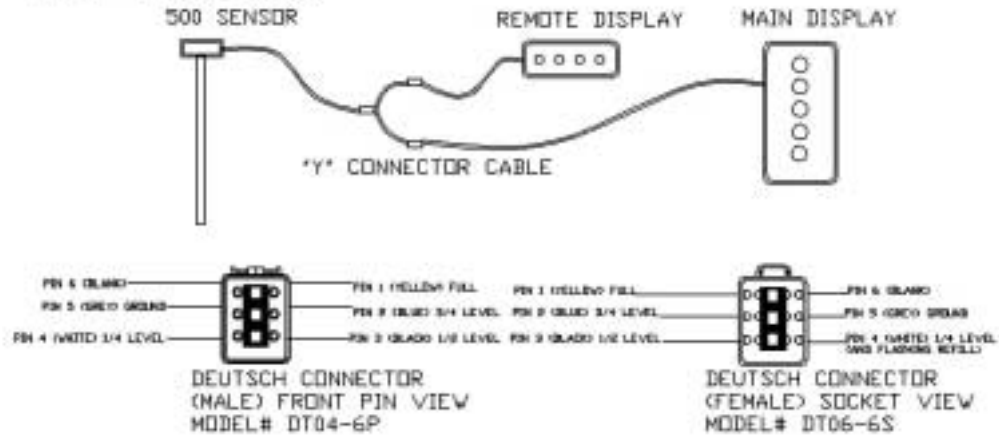
Note: If you have a positive ground system, contact MC Products for wiring instructions.



# SERIES 500 WATER LEVEL MONITOR

W/ SENTINEL LED

## \*\*CABLE WIRING FUNCTION AND PIN ORDER\*\*





**SERIES 500 WATER LEVEL MONITOR**

W/ SENTINEL LED

**\* MONITOR SPECIFICATIONS\***

| ////////////////////  | 4 LIGHT | 5 LIGHT (QUINT) | 4 LIGHT MINI |
|-----------------------|---------|-----------------|--------------|
| <b>CURRENT LOAD</b>   | 1.25A   | 1.25A           | .1A          |
| <b>SUPPLY VOLTAGE</b> | 12V/24V | 12V/24V         | 12V/24V      |
| <b>SYSTEM GROUND</b>  | NEG/POS | NEG/POS         | NEG/POS      |
| <b>SENTINEL LOAD</b>  | .05A    | .05A            | N/A          |

**\*\*STAINLESS STEEL SENSOR SPECIFICATIONS\*\***

| SENSOR TYPE               | CABLE LENGTH | MALE CONNECTOR                                    | FLANGE DIAMETER |
|---------------------------|--------------|---|-----------------|
| TOP MOUNT                 | 1 ft.        | GRAY DEUTSCH<br>6 PIN CONNECTOR<br>(MALE) DT04-6P | 2.5"            |
| RIGHT ANGLE<br>SIDE MOUNT | 1 ft.        | GRAY DEUTSCH<br>6 PIN CONNECTOR<br>(MALE) DT04-6P | 3.00"           |
| FILL TOWER SLIP<br>OUT    | 1 ft.        | GRAY DEUTSCH<br>6 PIN CONNECTOR<br>(MALE)DT04-6P  | N/A             |

**\*\*CONTROL CABLE SPECIFICATIONS\*\***

| PURPOSE | TYPE          | LENGTH | CONNECTORS                             | PART# |
|---------|---------------|--------|--|-------|
| CONTROL | EXTENSION     | 11 ft. | MALE/FEMALE DEUTSCH                    | M1404 |
| CONTROL | EXTENSION     | 20 ft. | MALE/FEMALE DEUTSCH                    | M1421 |
| CONTROL | EXTENSION     | 32 ft. | MALE/FEMALE DEUTSCH                    | M1422 |
| CONTROL | "Y" CONNECTOR | 6"     | MALE/MALE/FEMALE<br>DEUTSCH            | M1412 |
| CONTROL | ADAPTOR       | 6"     | HOFFMAN TO DEUTSCH<br>FEMALE TO FEMALE | M1394 |
| CONTROL | ADAPTOR       | 6"     | HOFFMAN TO DEUTSCH<br>MALE TO MALE     | M1395 |